

# BLE Smoke & Fire Curtains

## SPECIFICATION - Model FC4 Fire Curtain (European Standards)

### OVERVIEW

The BLE Model FC4 active fire curtains are manufactured from a woven glass fibre fabric with wire reinforcement. The fabric is laminated on each side with aluminium foil. The complete Curtain assembly is rated at 1000°C for a period of up to 120 minutes for Integrity (E), and 120 minutes for Irradiation (W), depending on the size of the curtain, see Table 1.



The V4A fabric is wound onto a tubular steel roller assembly that incorporates a 24V permanent magnet motor. The roller assembly is fitted inside a galvanised steel headbox that can be fixed directly to the structure of the building. Sides guides, 100mm deep x 50mm wide, incorporating a fabric retaining mechanism are used to limit the deflection of the curtain under the pressure created in a fire and to minimise smoke leakage. A standard bottom bar consisting of twin 20mm x 20mm x 3mm steel angles is used to ensure the curtain deploys under gravity in a controlled manner (Gravity Fail Safe). Heavier bottom bars may be required for some curtains to ensure correct deployment or to reduce deflection of the curtain due to variations in air pressure. The curtain headbox, side guides and bottom bar can be powder coated in any RAL colour as an optional extra, or can be supplied in stainless steel.

### PRODUCT PERFORMANCE

The complete FC4 Fire Curtain system has been tested and assessed by Exova Warringtonfire to BSEN1634 - Part 1: Fire resistance test for door and shutter assemblies and openable windows. The V4A fabric has a class 1 surface spread of flame rating when tested to BS 476: Part 7 and a fire propagation index I = 4.8 when tested to BS 476: Part 6. These tests demonstrate that the product complies with the requirements for Class 0, as defined in Approved Document B of the Building Regulations in England. Additionally, the FC4 Fire Curtain has been tested to BS8524- Part 1: Active Fire Curtain Assemblies, Annex D - Reliability and Response time and Durability of materials.

**Table 1 - Designations, size limitations and Fire Resistance Periods for FC4 Fire Curtain**

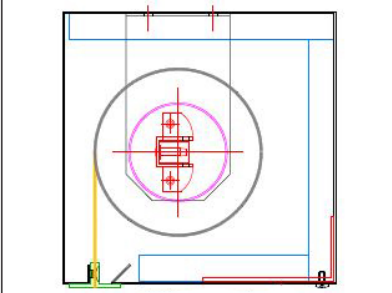
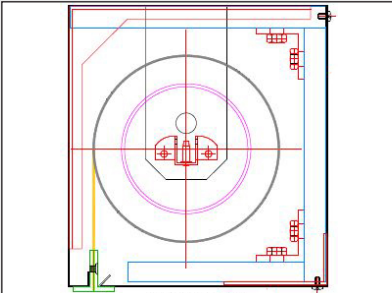
Designation	Single Roller	Multi Roller	Max Width (M)	Max Drop (M)	Fire Resistance (mins)		Test Standard	Certificate / Reports
					Integrity (E)	Irradiance (W)		
FC4	Yes	No	2.6	2.7	120	120	BSEN 1634	WF341904
	Yes	No	7.0	4.0	60	60		WF342381
								WF349970

SMOKE & FIRE

## HEADBOX SIZING

The size of the curtain roller housing, or headbox, depends on the on the curtain drop and width. Table 2 gives details of the standard headbox size required for the FC4 fire curtain. Smaller width curtains may have the option of being installed in FC2 single headbox sizes.

Table 2 – FC4 Fire Curtain, Head box sizing guide

		
Curtain Drop	Curtain Width	Single Roller (76mm)
< 4m	< 5.0m	210mm x 210mm
		
Curtain Drop	Curtain Width	Single Roller (127mm)
< 4m	5.0m - 7m	235mm x 255mm

## CONTROL SYSTEMS

A Standard or Multi-Function Group Control Panel (GCP) is used in conjunction with a Multi-Function Motor Control Circuit (MCC) to operate up to 6N<sup>o</sup> 24V permanent magnet motors to control the deployment and retraction of the FC4 Fire Curtains.

In normal conditions the GCP provides a 24V supply to the motors and the curtains are held in the retracted position in the headbox. When a fire alarm is activated the contact in the GCP is opened and the power is removed from the motors, releasing the curtains to deploy under gravity in a controlled manner (Gravity Fail Safe). When the fire alarm system is reset the GCP reinstates the 24v supply to the motors and the curtains are retracted to their normal position in the headbox. Current limiting switches detect when the curtain has fully retracted and the supply voltage to the motor is stepped down to a holding voltage.

In the event of a mains power failure the 2N<sup>o</sup> 12v 7ah back-up batteries supplied with the GCP can maintain full control of the system for up to 4-hours. If a fire alarm signal is activated during a mains power failure the Fire Curtains will deploy in a controlled manner as normal.

## GROUP CONTROL PANEL (GCP) - FEATURES & OPTIONS

**LED status Indicators** - LEDs on the front of the Standard GCP display the status of the mains supply, battery charge, alarm and any fault in the CPU. The Multi-Function GCP has extra LEDs that display if a delay timer or override function is active.

**Manual override** – Facility to temporarily raise all the curtains connected to the GCP after deployment, for emergency egress.

**Two stage descent** – Programmable timer delay that deploys the curtain in two stages to allow egress before full deployment of the curtain.

**Delayed descent** – Programmable timer delay of up to 90 seconds after the fire alarm signal is activated before full deployment of the curtain.

**Delayed ascent** – Programmable timer delay of up to 90 seconds after the fire alarm signal is reset before retraction of the curtain.

**GCP interlinking** – Enables multiple GCP's to be connected when more than 6 motors are controlled by one alarm signal, to ensure synchronisation of curtain descent and retraction.

**Heat or Smoke detector** – Can be used in place of, or in combination with, the main fire alarm signal (Requires a manual reset button).

**AV facility** – An Audio Visual Unit that activates to warn that the curtains are descending. Sounder beacons can also be used.

**BMS connection** – The GCP can be linked to a Building Management System to show the status of mains power, battery charge, alarm, timer delays and manual override.

**Curtain released signal** – Signal to the BMS to confirm that the curtain has been released.

**Obstruction sensor** – Gives a warning if there is an obstruction in the path of the curtain.

Table 3 – Option comparison between Group Control Panels

Feature	Standard	Multi-Function GCP
Controls up to 6 motors	Yes	Yes
2 x 12v 7ah backup batteries	Yes	Yes
Test key switch	Yes	Yes
LED status indicators	Yes	Yes
Manual override (requires push button)	No	Yes
Two stage descent facility (requires brake motor)	No	Yes
Delayed descent	No	Yes
Delayed ascent	No	Yes
GCP interlinking	No	Yes
Heat or smoke detector with manual reset button	Option	Option
AV connection facility	No	Option
Building Management System (BMS) connection	No	Option
Obstruction sensor facility	No	Option
Curtain released signal facility	No	Option

### GCP SPECIFICATION

Power Input	230Vac 50Hz
Alarm Input	Normally closed. Open on fire alarm activation. Configured to be fail safe.
Dimensions and finish	Hinged door, white painted mild steel enclosure 396mm High x 334mm Wide x 105mm Deep

FIRE  
&  
SMOKE  
&  
BMS

