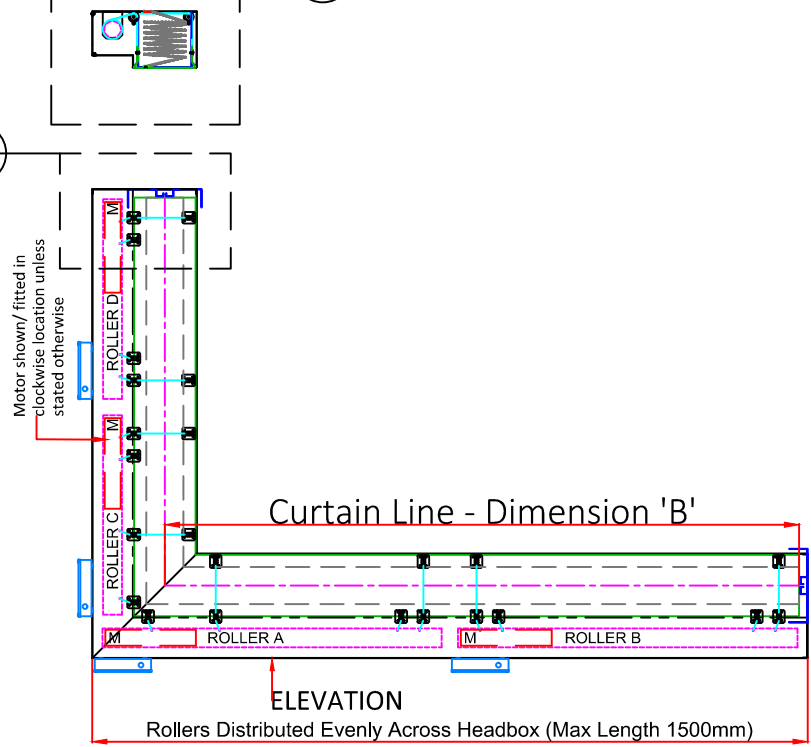


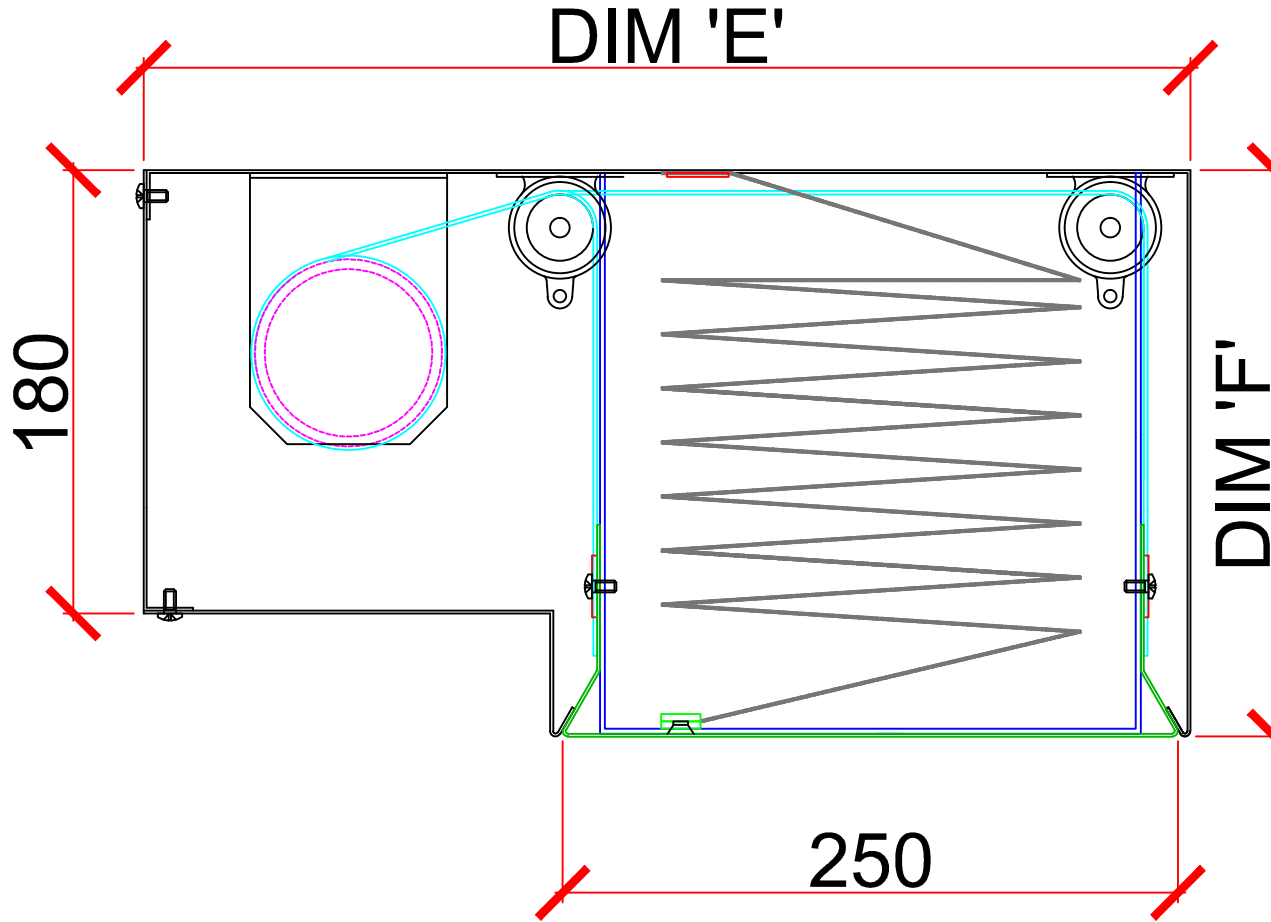
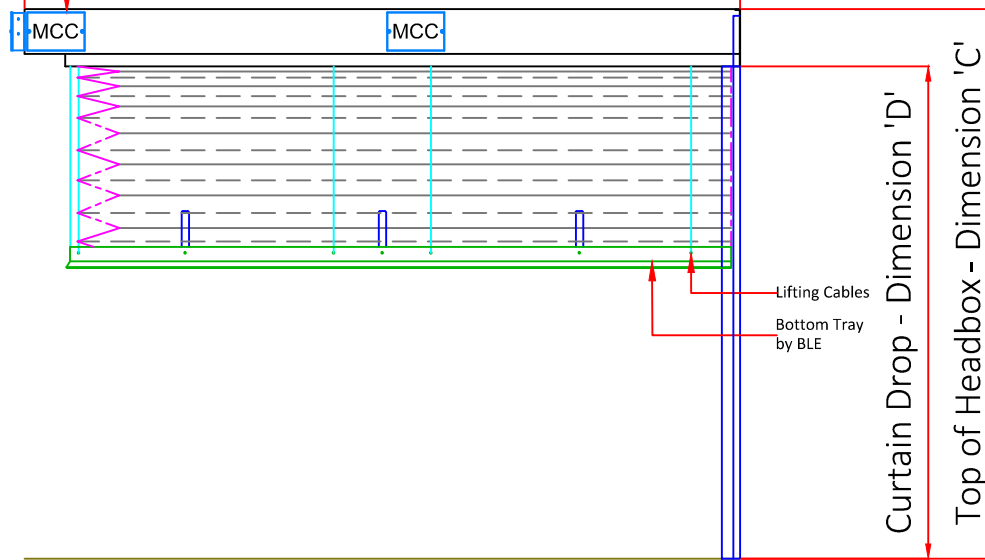
02
001

03
001



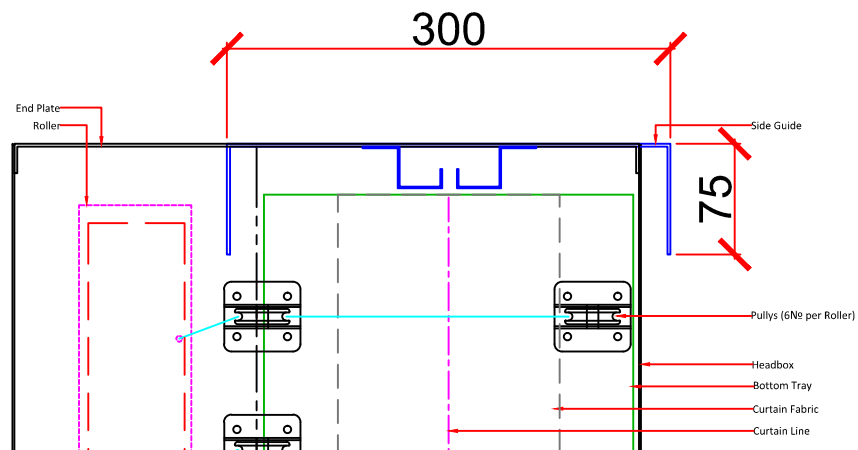
Motor Control Circuit
Maximum distance from
motor to MCC is 1 metre
using standard cable

Headbox A Width - Dimension 'A'



02 Section Through Headbox
001 SCALE 1:3 @ A3

01 Plan, Section & Elevation
001 SCALE 1:30 @ A3



03 Plan Section Of Through Headbox
001 SCALE 1:5 @ A3

NOTES:
• Headbox sizes are dependent on the curtain width & drop as specified below.
• Please see relevant specifications for product size limits.

- Additional Information
- Rear Access.
 - Curtain Side Access.
 - Guides Face Fixed with Caps
 - Guides Face Fixed with Angles
 - Headbox Powder Coating
RAL Colour
 - Sideguide Powder Coating
RAL Colour
 - Bottom Bar Powder coating
RAL Colour

Issued For Comment/Approval

B.L.E. SMOKE & FIRE CURTAINS LTD.
Tel : +44 (0) 114 251 4703
Fax : +44 (0) 114 251 3908
Email : enquiries@blecurtains.com

PROJECT:
STANDARD SYSTEMS

DESCRIPTION:
AC1
ACCORDION
FIRE CURTAIN DETAILS

Curtain Drop 'D'	Headbox Width 'A'	
	Up to 18m	
	DIM 'E'	DIM 'F'
1.5m - 3.0m	425mm	230mm
3.0m - 6.0m	425mm	260mm
6.0m - 9.0m	425mm	290mm

Curtain Schedule					
Curtain Ref	Dim 'A'	Dim 'B'	Dim 'C'	Dim 'D'	Qty

SHEET No	SHEET SIZE	DRAWN BY	DATE
9 OF 9	A3	C. DAUBNEY	15.03.18
REF. No	SCALE	CHECKED BY	DATE
AS NOTED		R. CAMERON	15.03.18

DRAWING No:
BLE-SSD-118

ALL DIMENSIONS IN MILLIMETRES UNLESS STATED OTHERWISE. DO NOT SCALE. IF IN DOUBT ASK. SYSTEM TOLERANCE IS 0.5 MILLIMETRES IN ANY PLANE UNLESS OTHERWISE SPECIFIED. NOTHING IS TO BE FITTED TO THE ROLLER HOUSING WITHOUT PRIOR BLE CONSENT. ALL PRINTED DRAWINGS ARE UNCONTROLLED. COPYRIGHT © This Document is the copyright of BLE Smoke & Fire Curtains Ltd. and contains confidential information. It may not be copied, transmitted or information made known to any third party without the permission of BLE Smoke & Fire Curtains Ltd.