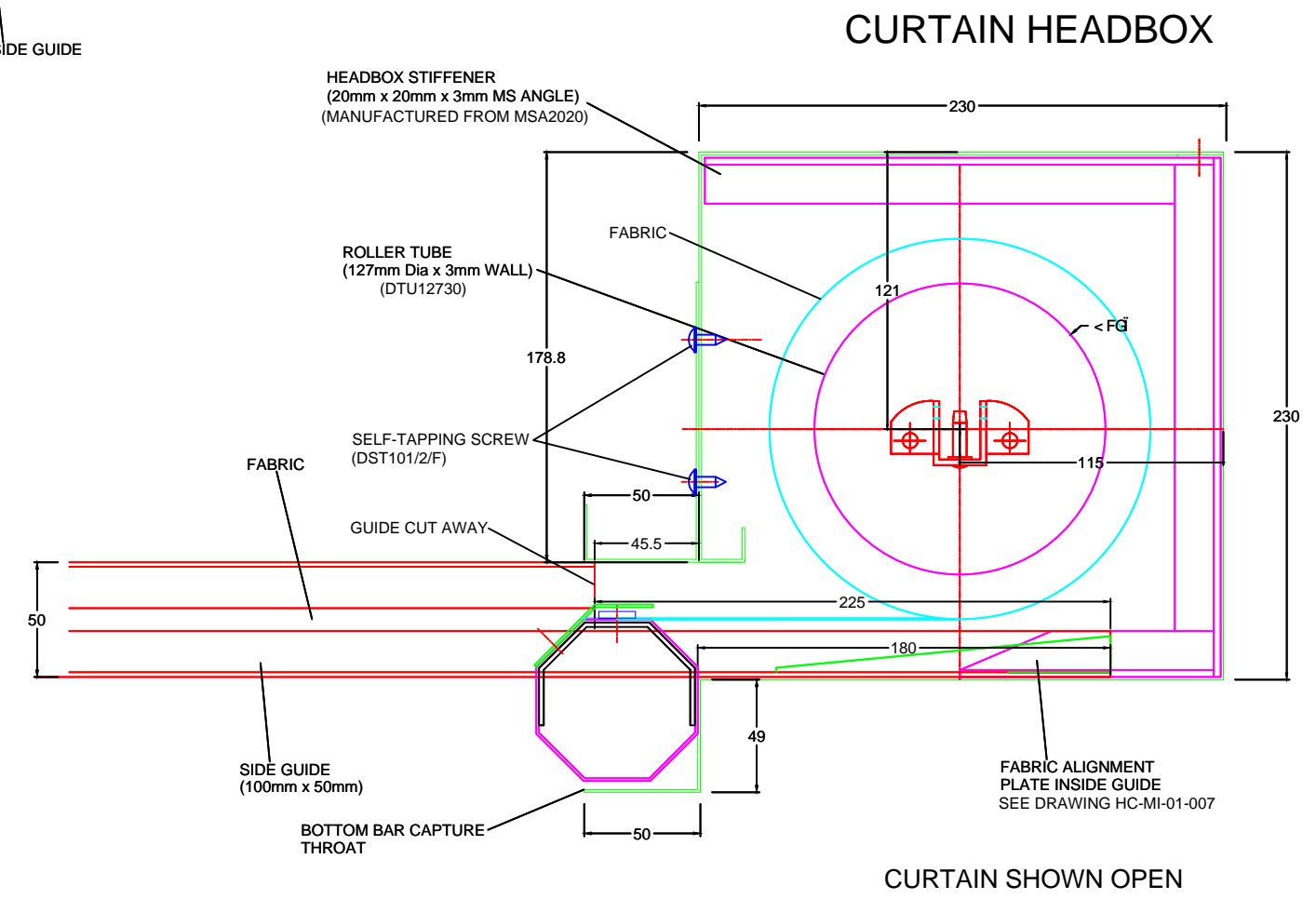
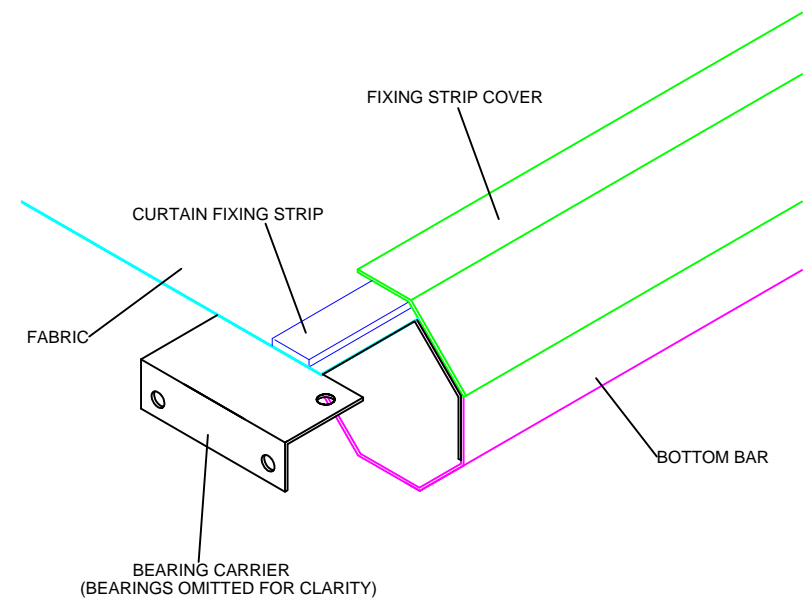


FLANGE HEADBOX



CURTAIN HEADBOX

CURTAIN SHOWN OPEN

NO.	REV.	DESCRIPTION	DATE
001	1	Issue for not length changed	01/11/2023
002	2	Issue for not length changed	01/11/2023
003	3	Issue for not length changed	01/11/2023
004	4	Issue for not length changed	01/11/2023
005	5	Issue for not length changed	01/11/2023
006	6	Issue for not length changed	01/11/2023
007	7	Issue for not length changed	01/11/2023
008	8	Issue for not length changed	01/11/2023
009	9	Issue for not length changed	01/11/2023
010	10	Issue for not length changed	01/11/2023

PROJECT	HORIZONTAL CURTAIN	TITLE
MANUFACTURING INFORMATION		SECTIONS THROUGH ASSEMBLIES
DESIGNED BY	D. NEVILL	
CHECKED BY		
DATE	3/10/23	
PROJECT NO.		
DRAWING NUMBER	HC-MI-01-003	

BLE

MAKING BUILDINGS SAFER

B.L.E. SMOKE & FIRE CURTAINS

TEL : 0114 251 4703

FAX : 0114 251 3908

email: curtains@blegroup.co.uk

SMOKE CURTAINS
FIRE CURTAINS
FIXED CURTAINS
INSTALLATION
COMMISSIONING